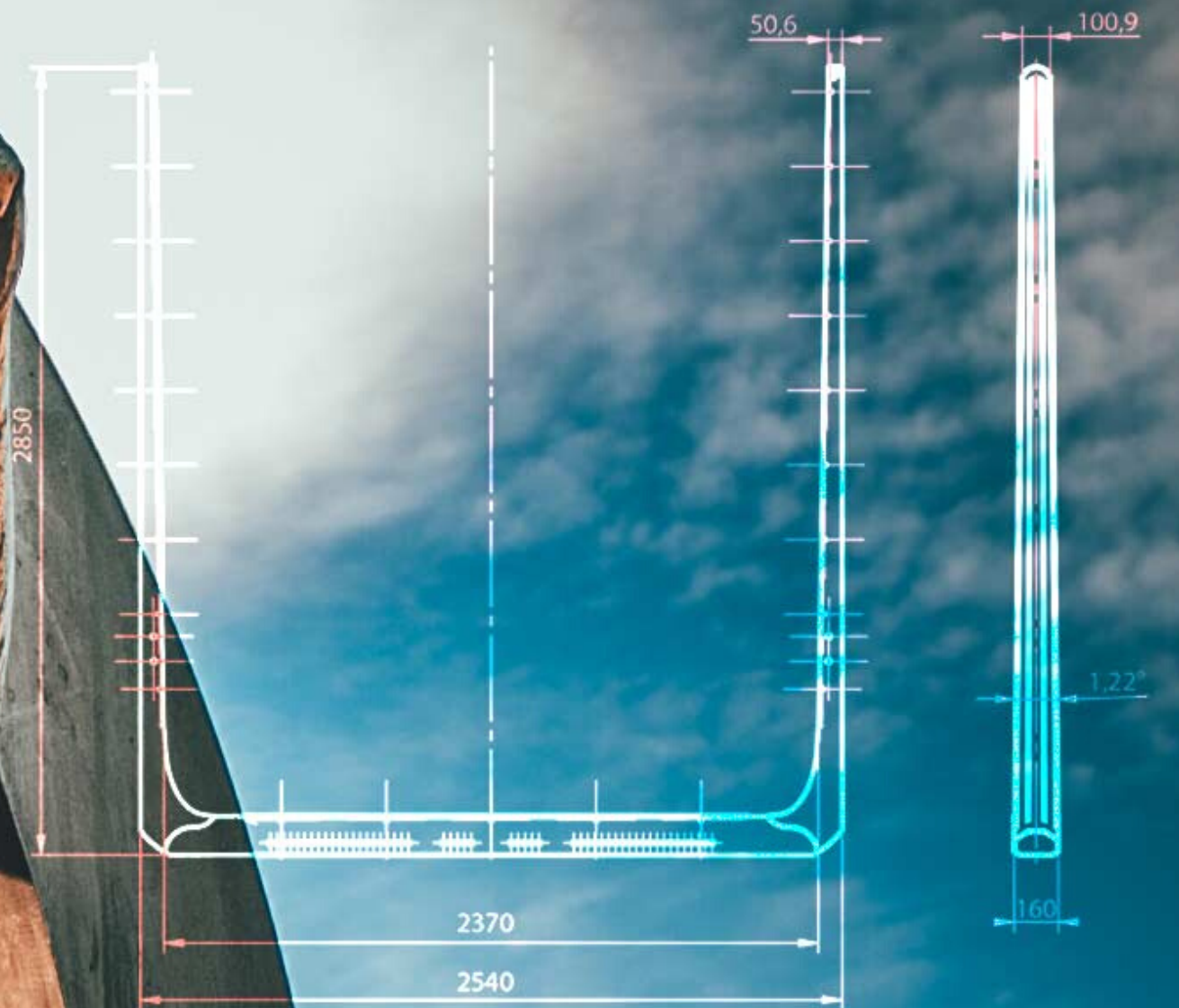


# FOREST STEEL XXL TIMBER BUNKS

Secure choice for timber trucks and the best solution for your business



# PRODUCT SPECIFICATION

Product name: Forest Steel XXL  
Timber Bunks

Product name in original language:  
FOREST STEEL XXL  
METSAVEOPOSTID

Product manufacturer:  
Forest Steel OÜ

Custom code: 73089098  
Product type: FS 95 XXL

## FOREST STEEL XXL TIMBER BUNKS TECHNICAL SHEET

	Stake length (mm)	Bunkframe length (mm)	Bunkframe height (mm)	Material	Weight with attachments (kg)	Max load per bunk (t)
FS 95 XXL	2750	2550	140	SSAB Swedish Steel	155,04	9,5
FS 95 XXL	2850	2550	140	SSAB Swedish Steel	157,18	9,5
FS 95 XXL	3100	2550	140	Ruukki Optim 960 QCW	164,12	9,5
FS 95 XXL	3115	2550	140	Ruukki Optim 960 QCW	165,08	9,5
FS 95 XXL	3200	2550	140	Ruukki Optim 960 QCW	166,28	9,5

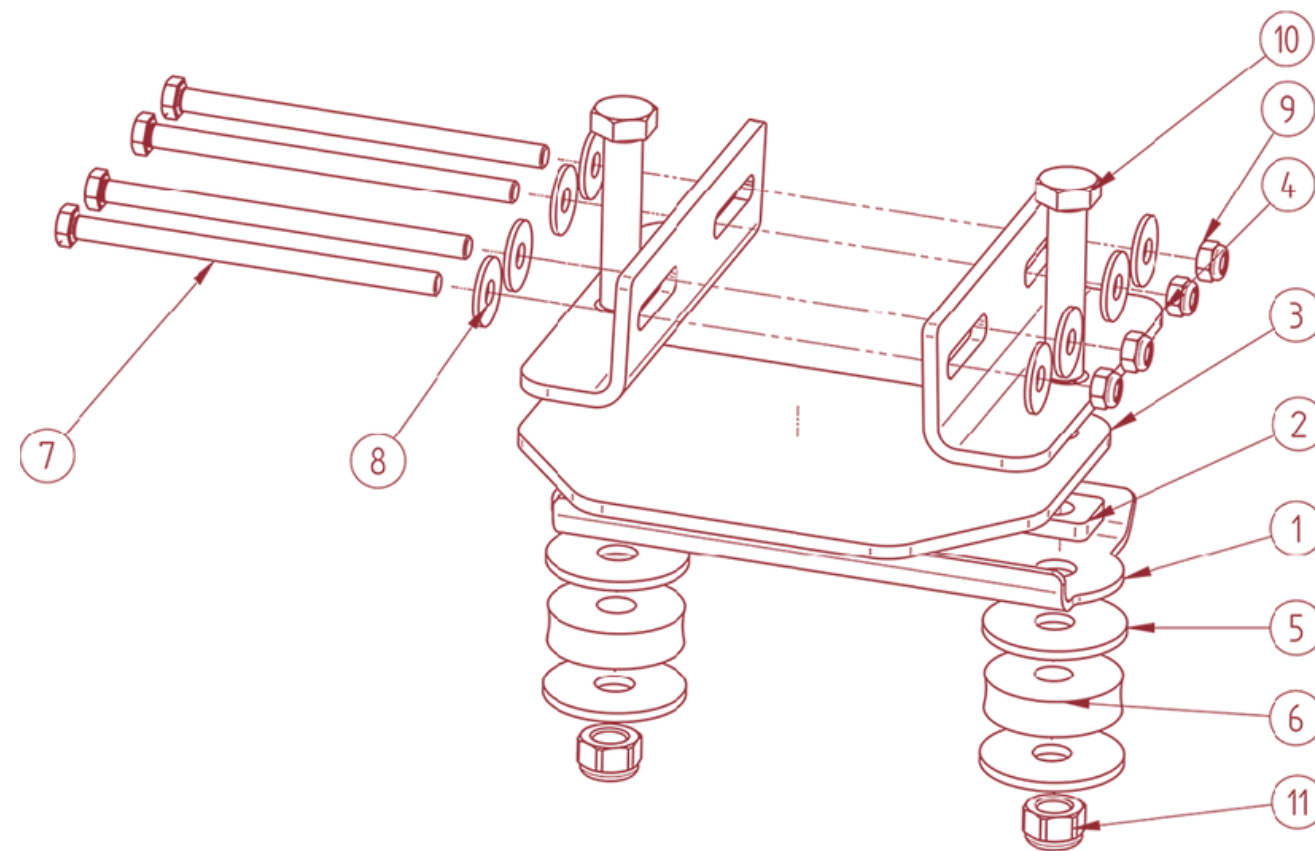
## PRODUCT DESCRIPTION

Forest Steel XXL Timber Bunks are made of ultra-durable steel with a maximum load capacity of 9,5 tons per bunk. They are specifically designed for allowing more timber in each stack. XXL stands for a uniquely large loading area making transport more profitable for the hauliers.

Bunks are very durable, lightweight and easy to install.



# THE PRODUCT CONTAINS THE FOLLOWING ATTACHMENTS:



11	NYLOCKMUTTER DIN 985-8 - M12		2		
10	Polt DIN 933 - M20 x 100 - 8.8		2		
9	NYLOCKMUTTER DIN 985-8 - M20		4		
8	Seib DIN 125 ZN HOT, M20		8		
7	Polt DIN 933 - M12 x 200 - 8.8		4		
6	Kumiprikka 75	PC 01.06	2	20,00 mm	
5	Prikka 75	PC 01.05	4	5,00 mm	
4	Kinnitus_REV3	PC 01.01	2	8,00 mm	
3	Muoviliuku	PC 01.04	1	8,00 mm	
2	Kierrelevy	PC 01.03	1	10,00 mm	
1	Pöhi_REV3	PC 01.02	1	5,00 mm	
Osa	Nimetus, materjal	Tähis	Hulk	Materjali paksus	Märkus

## APPLICATION / USE

For safe transport of timber by road

## PACKAGING

Packing and dimensions for attachments: closed plywood box, with the following internal dimensions 600x400x400mm.

## DELIVERY

Delivery time: in stock or custom-made order 3-4 weeks

Delivery terms: EXW Viljandi

Place for shipment: Viiratsi, 70101 Viljandi County



## COMPLIANCE AND REGULATIONS

Complied with the legal safety and performance requirements (CE certificate).

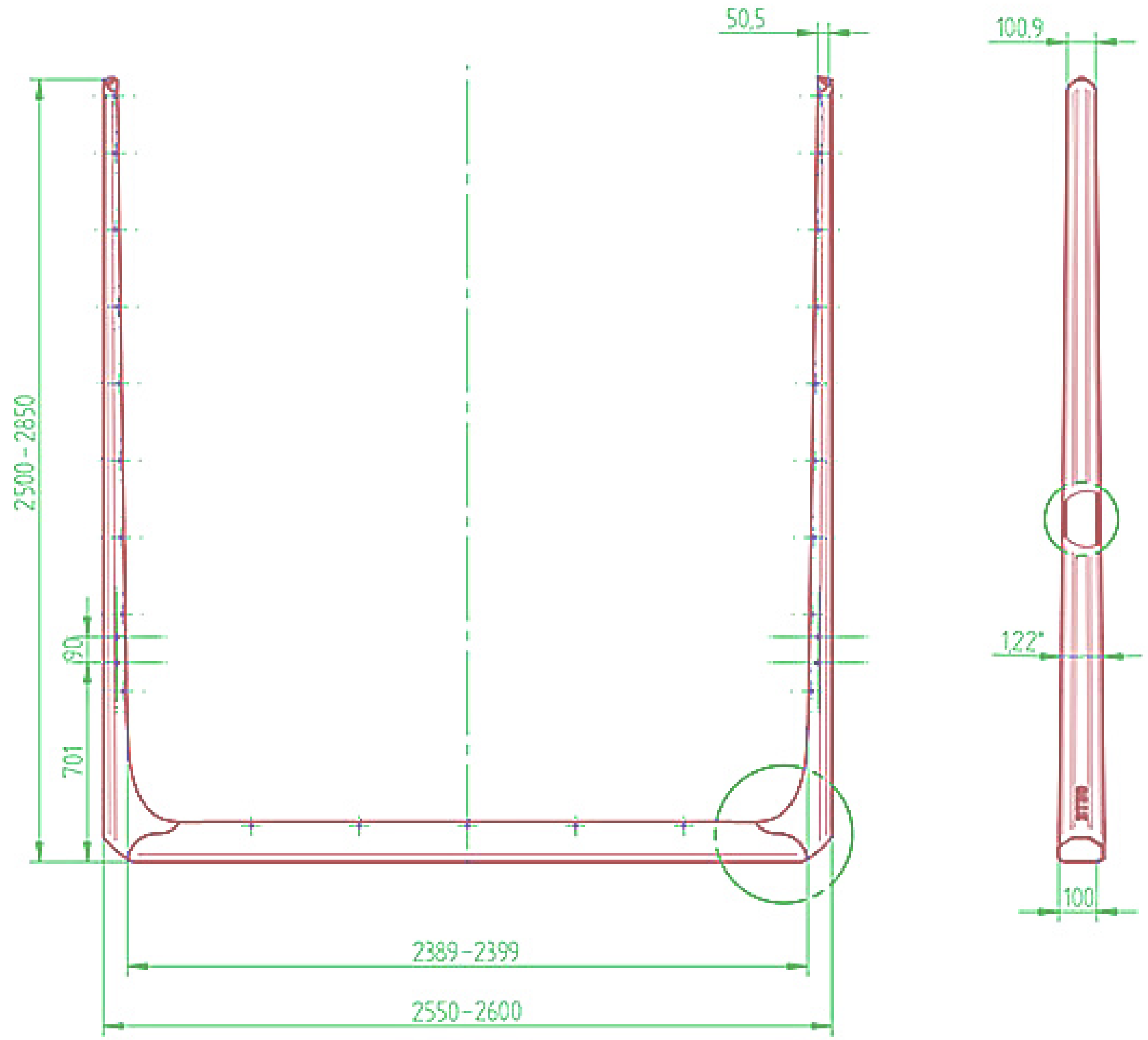
Forest Steel XXL Timber Bunks are manufactured in accordance with the essential requirements of EU Directives 89/392 / EEC, 91/368 / EEC, 93/44 / EEC and / or 93/68 / EEC and the harmonized standards SFS 5339 and / or 5750.

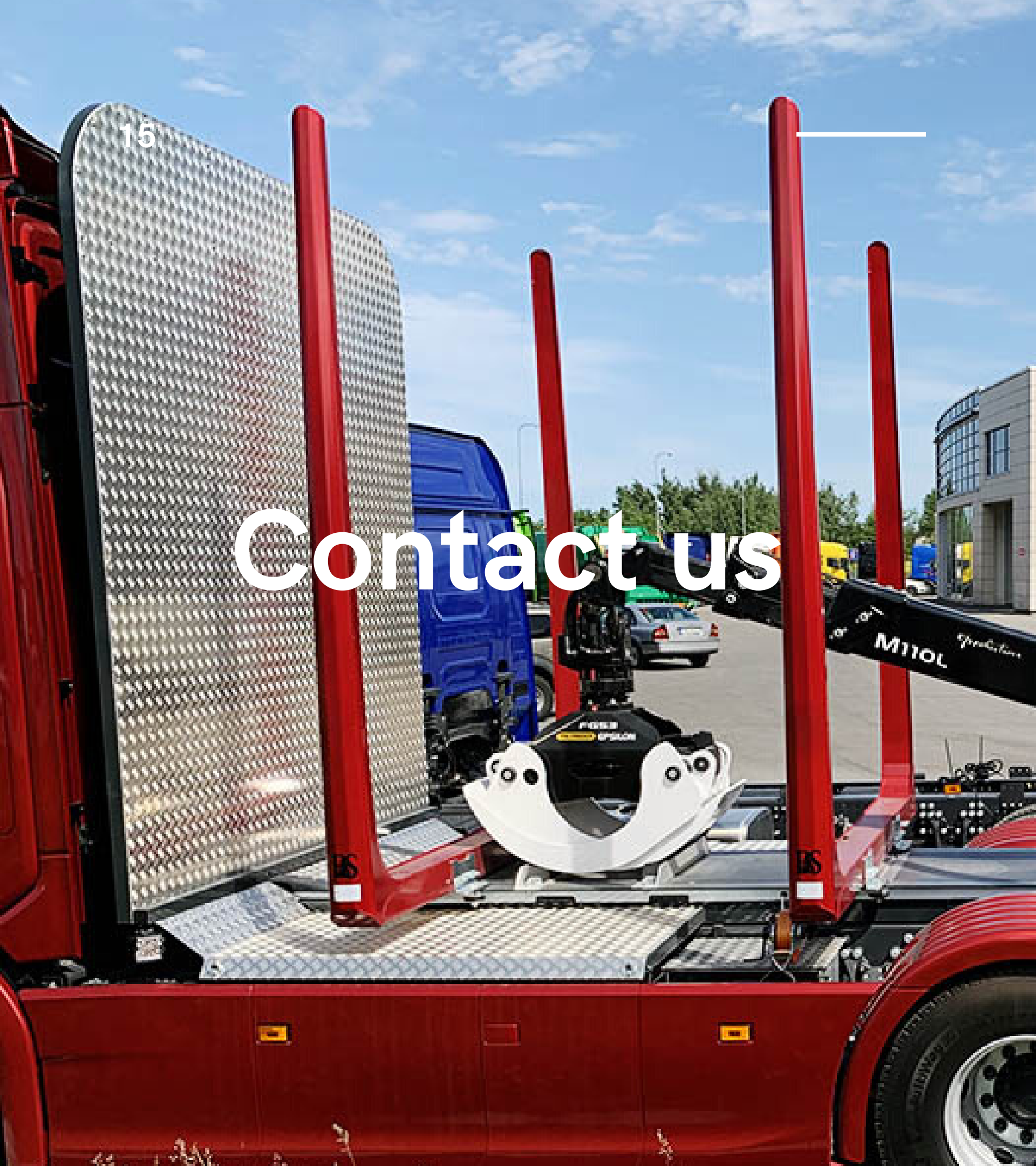
As a result of the decision no. 940 of the Ministry of Transport of 14.12.1982, as the manufacturer of the products in question, we certify that all Forest Steel XXL Timber Bunks and fasteners meet the above requirements.



## NOTES

We make custom timber bunks in all sizes and colors.  
Just choose your desired length + RAL-tone and ask for a quote!





Contact us

## OFFICE ADDRESS

Lootsi 8, Tallinn, Estonia, 10151

## EMAIL ADDRESS

[info@foreststeel.ee](mailto:info@foreststeel.ee)

Homepage [www.foreststeel.ee](http://www.foreststeel.ee)

## PHONE NUMBER

+372 5022118 (Helina) Estonian, Russian,  
Finnish speaking

+372 5096996 (Liisa) English speaking

